

Cabinet U-Handles

Stainless Steel Precision Casting

SPECIFICATION

Types

- Type **A**: Mounting from the back (threaded blind bore)
- Type **B**: Mounting from the operator's side

Stainless steel precision casting AISI 316

Matte shot-blasted finish **GS**

INFORMATION

Cabinet U-handles GN 328.5 have excellent stability and ergonomic design. The finger recesses on the underside of the handle provide a specially comfortable grip.

ON REQUEST

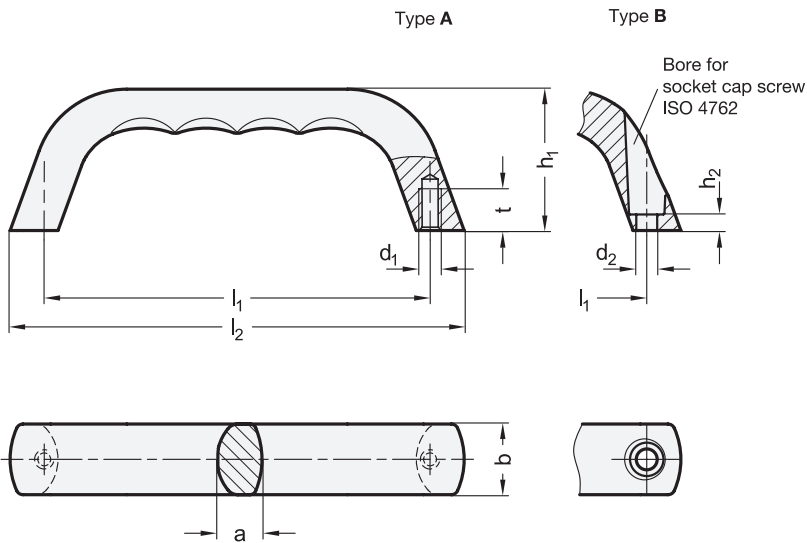
- Other finishes

TECHNICAL INFORMATION

- Load Rating Information (see page A35)
- Stainless Steel Characteristics (see page A26)



reddot design award



GN 328.5-A

STAINLESS STEEL

Description	l_1	a	b	d_1	h_1	l_2	t	Δ
GN 328.5-120-A-GS	120	14	22	M 6	44	141.2	13	318
GN 328.5-140-A-GS	140	18	28	M 8	55	166.5	17	601

GN 328.5-B

STAINLESS STEEL

Description	l_1	a	b	d_2	h_1	h_2	l_2	Δ
GN 328.5-120-B-GS	120	14	22	6.5	44	5	141.2	293
GN 328.5-140-B-GS	140	18	28	8.5	55	6	166.5	523